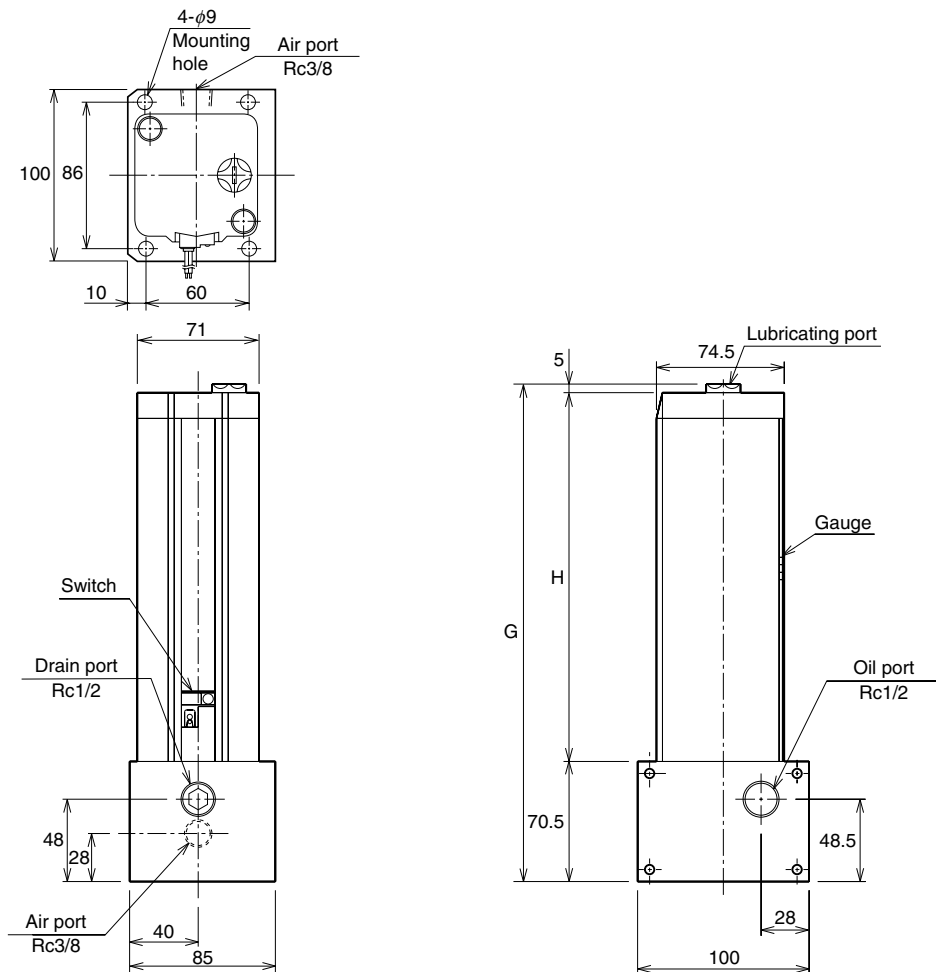


DIMENSIONAL DRAWINGS/AHU2

Unit: mm

● CONVERTOR



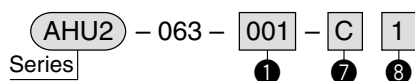
DIMENSIONAL TABLE

| Symbol Bore | G | | | | | | H | | | | | |
|----------------|--------|--------|-------|--------|-----|-------|--------|--------|-------|--------|-------|-------|
| | 0.16 l | 0.25 l | 0.4 l | 0.63 l | 1 l | 1.6 l | 0.16 l | 0.25 l | 0.4 l | 0.63 l | 1 l | 1.6 l |
| φ63 | 218 | 245 | 290 | 358 | 468 | 648 | 142.5 | 169.5 | 214.5 | 282.5 | 392.5 | 572.5 |

MODEL CODE

For order, specify the following code.

● CONVERTOR



| 1 | Convertor capacity | |
|-----|--------------------|--------------------|
| | 001 | 0.16 l |
| 002 | 0.25 l | |
| 004 | 0.4 l | |
| 006 | 0.63 l | |
| 010 | 1 l | |
| 016 | 1.6 l | |
| 7 | Switch symbol | |
| | C | ZR3(With lamp)1.5m |
| 8 | Switch quantity | |