



空油壓電磁方向閥

AC · DC

專業製造

CE

AIH & OIL HYDRAULIC SOLENOID VALVES
AC/DC PROFESSIONAL MAKER



www.57382299.com



索引 INDEX

☒ 產品系列

- 油浸式電磁方向閥
- 超大流量油浸式電磁方向閥
- 低噪音、低振動

超大流量油浸式電磁方向閥 HD-G02 HUGE FLOW OIL DIPPING SOLENOID DIRECTIONAL VALVE HD-G02	1~5
超大流量油浸式電磁方向閥 HD-G03 HUGE FLOW OIL DIPPING SOLENOID DIRECTIONAL VALVE HD-G03	6~10
各種軸心功能明細表 LIST OF SPOOL FUNCTIONS(HD-G02.HD-G03)	11
各種專用二位置軸心明細表 LIST OF SPECIAL TWO POSITION SPOOL FUNCTIONS (HD-G02.HD-G03)	12
接線盒種類 TYPE OF CONTACTOR	13
電磁控制導引方向控制閥 HD-G04.HD-G06 SOLENOID CONTROLLED PILOT OPERATED DIRECTIONAL VALVES HD-G04.HD-G06	14~19
HD-G04、HD-G06軸心功能明細表 LIST OF SPOOL FUNCTIONS FOR HD-G04, HD-G06	20~23
電磁控制道引方向控制閥(HD-G04、HD-G06)-可調節型 SOLENOID CONTROLLED PILOT OPERATED DIRECTIONAL VALVE (HD-G04,HD-G06)-ADJUSTMENT TYPE	24~25
空壓用直動式電磁閥 PNEUMATIC DIRECTIONAL MAGNETIC VALVE	26~31
AD底座按裝外觀尺寸圖 THE DIMENSIONS OF AD TYPE SUB PLATE FIXING	32
各國頻率與電壓一覽表 INTERNATIONAL VOLTAGE(Volts) & FREQUENCY(Hz) LIST	33



超大流量油浸式電磁方向閥 HD-G02

HUGE FLOW OIL DIPPING SOLENOID DIRECTIONAL VALVE HD-G02



HD-***-G02-LW-F-AC



HD-***-G02-LW-F-AC



HD-***-G02-LW-F-DC



HD-***-G02-LW-F-DC



HD-***-G02-DL-F-AC



HD-***-G02-DL-F-AC



HD-***-G02-DL-F-DC



HD-***-G02-DL-F-DC

◆ 型號說明與訂購表示 STATEMENT OF MODEL



◆ 型式 TYPE TH-811

口徑 PT	最大流量(L/min) MAX. FLOW	最高使用壓力 MAX.PRESSURE (kgf/cm ²)	容許背壓 (kgf/cm ²) ALLOWABLE BACK PRESSURE	切換頻率 CONVERSION FREQUENCY
HD-G02	60 L/min	350kgf/cm ²	70-160 kgf/cm ²	Ac240 回/分 Rf120 回/分 CYCLE/min

(註) 最大流量、機種、電壓、R Port 背壓、隨迴路而異

(NOTE) Max. flow, models, voltage, & R port back pressure will be varied according to different Spool type.

◆ 電磁線圈特性 FEATURES OF MAGNETIC COIL

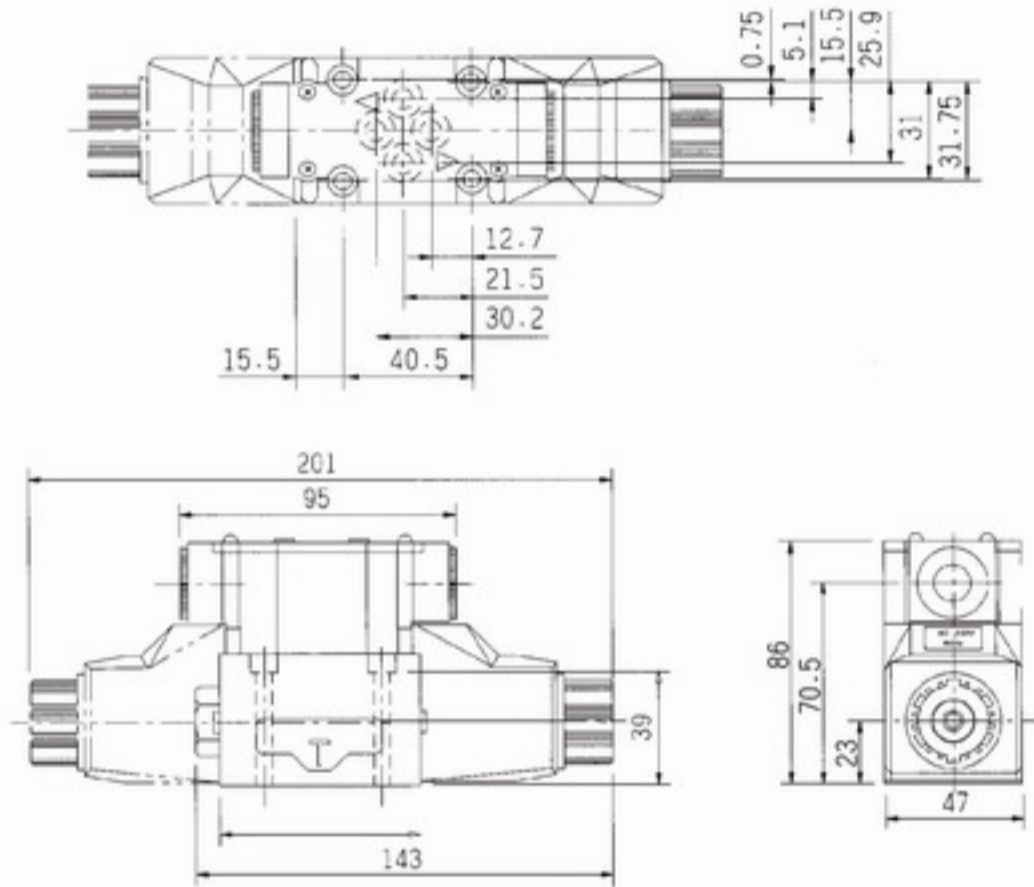
電壓 VOLTAGE (V)	交流 (AC)		直流 (DC)		交直流 (RF)	
	AC110V	AC220V	DC12V	DC24V	RF110V	RF220V
定格電壓 RATED VOLTAGE ±10%	AC110V	AC220V	DC12V	DC24V	RF110V	RF220V
保持電流 HOLDING CURRENT ±10%	0.6A	0.3A	2.6A	1.3A	0.38A	0.19A
起動電流 START CURRENT ±10%	2.26A	1.23A				

◆ 特長 FEATURES

1. 本产品已通过CE认证。
2. 本體雙回油溝，及各油溝加大，使其通過流量增加，使用壓力並提高。
3. 全新CNC精密車床加工，尺寸精確，軸心制造設計無直角，減少高壓時造成切角或滑動受阻現象發生。
4. 內部抵抗大幅提高。
5. 容許背壓大幅提高。
6. 浸式電磁設計，作動平穩，噪音小。
7. 本公司線圈採一體成型，防潮效果佳，散熱好，耐高溫。
8. 本電磁閥採4油孔電磁鐵操作的3位4通或2位4通滑閥式方向控制閥。適用於油路塊或底板安裝。
9. 本公司電磁閥安裝尺寸均符合ISO-4401-03國際標準，故具有絕對的互換性。
10. 附霓虹指示燈，可指示動作方向。
11. DIN TYPE 插頭式接電盒雙邊皆附方向指示燈，且符合DIN-43650規範。

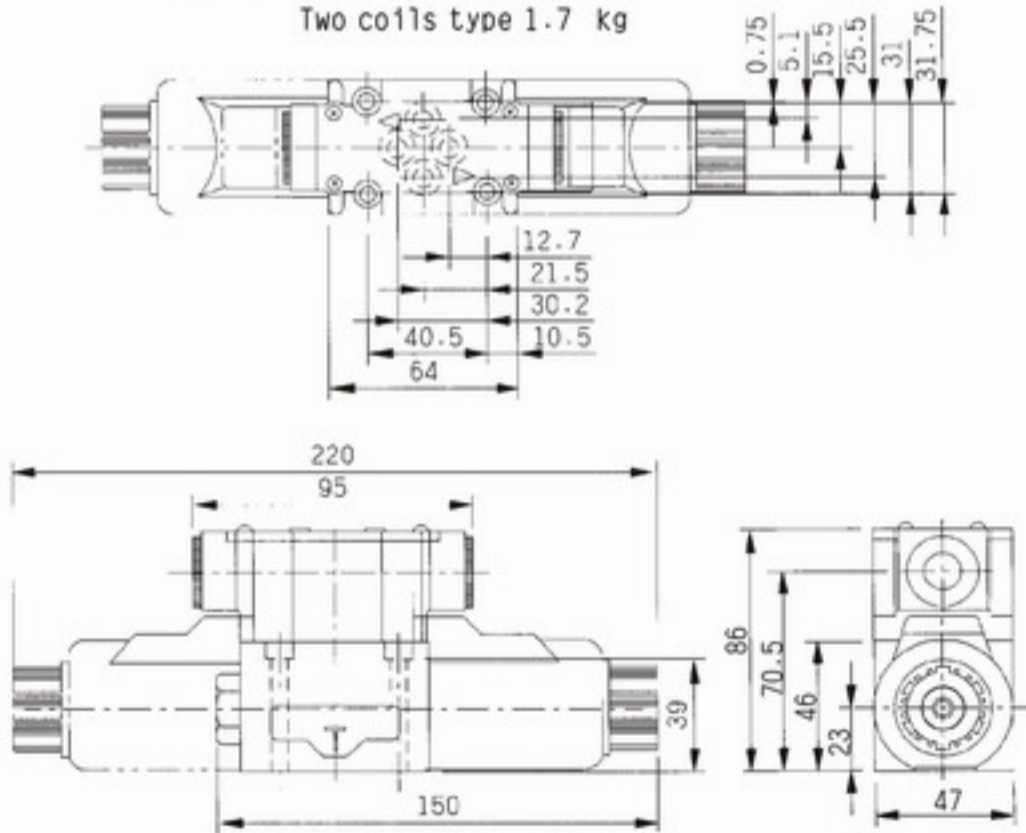
1. This product has passed the CE certification.
2. We increase the size of the ditches in main body to raise the flow and the pressure.
3. We use the newest CNC precised lathe to make sure the spools size and no right angle to decrease the happening of cutting angle or slip resistance.
4. Lower inter resistance.
5. Huge increasing of back-pressure allowable.
6. Because of wet electromagnet design, it moves smoothly and noiseless.
7. Our coils are made with no crack, these coils are good in waterproof, dissipating heat and high temperatruer tolerated.
8. This solenoid valve use 4-ports electromagnet to operate 3-position 4 ports and 2-position 4 ports slip-type direction valve. It is good to be used with manifold and sub plate.
9. The solenoid valves are conform to the international standard ISO-4401-03. It is extremely exchangeable with other brand ones.
10. With neon pilot to indicate the direction of movement.
11. DIN TYPE (Plug-in) contactor has directed pilot lights on both sides, and they are conform to DIN-43650 standard.

◆ 外觀尺寸 DIMENSIONS



HD-***-G02-LW-F-AC

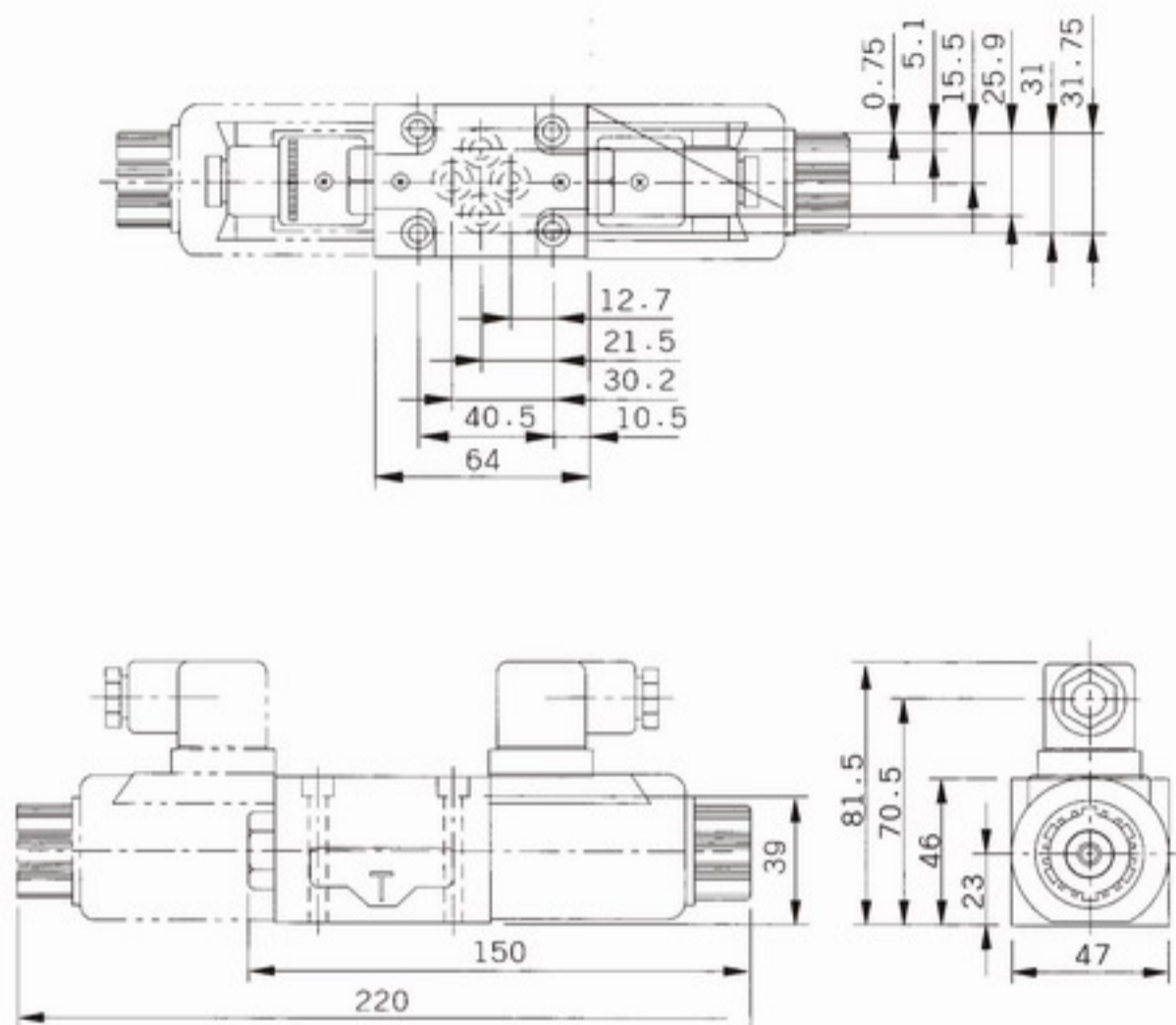
重量 單 1.3 kg
 雙 1.7 kg
 WEIGHT Single coil type 1.3 kg
 Two coils type 1.7 kg



HD-***-G02-LW-F-DC

重量 單 1.4 kg
 雙 1.9 kg
 WEIGHT Single coil type 1.4 kg
 Two coils type 1.9 kg

◆ 外觀尺寸 DIMENSIONS



HD-***-G02-DL-F-DC

重量 單 1.3 kg
雙 1.9 kg

WEIGHT Single coil type 1.3 kg
Two coils type 1.9 kg

◆ 注意事項 NOTICES

1. 無彈簧型閥以水平安裝為妥。
2. 安裝面與閥面同保持3.2Z表面。
3. R孔不能阻塞使用,否則影響效果。
4. 盒式(Terminal Box)接線盒已附上COM線請勿再自行接線。

1. Springless type valve will be installed horizontally.
2. Installation surface and valve surface will keep 3.2z.
3. R port shall not be blocked for using, otherwise, the effect will be influenced.
4. Terminal box contactor has COM lines. please do not contact by yourselves.

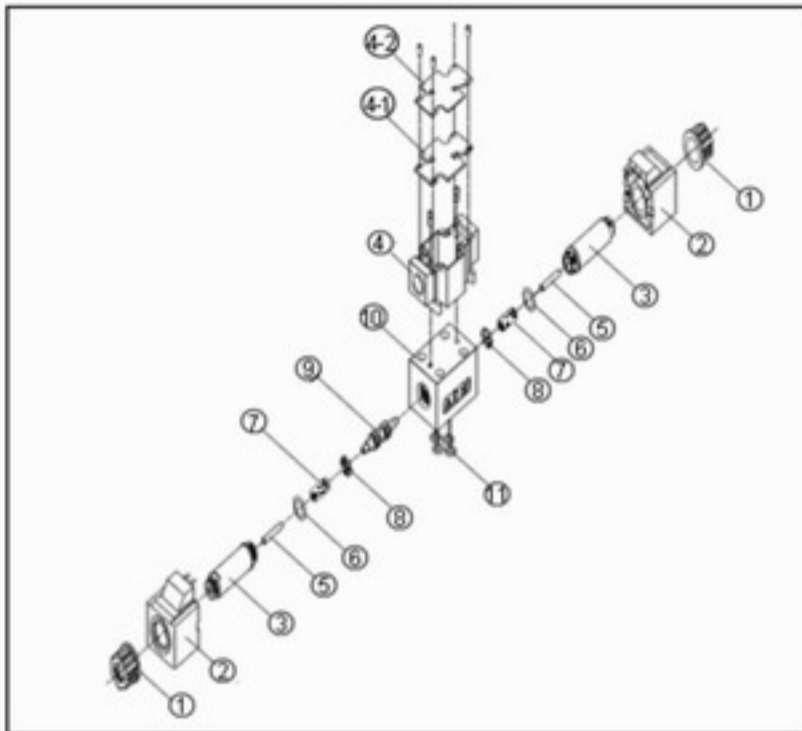
◆ 附屬品 ACCESSORIES

螺絲 M5 × 45L 4 支

Screw M5 × 45L 4 pcs

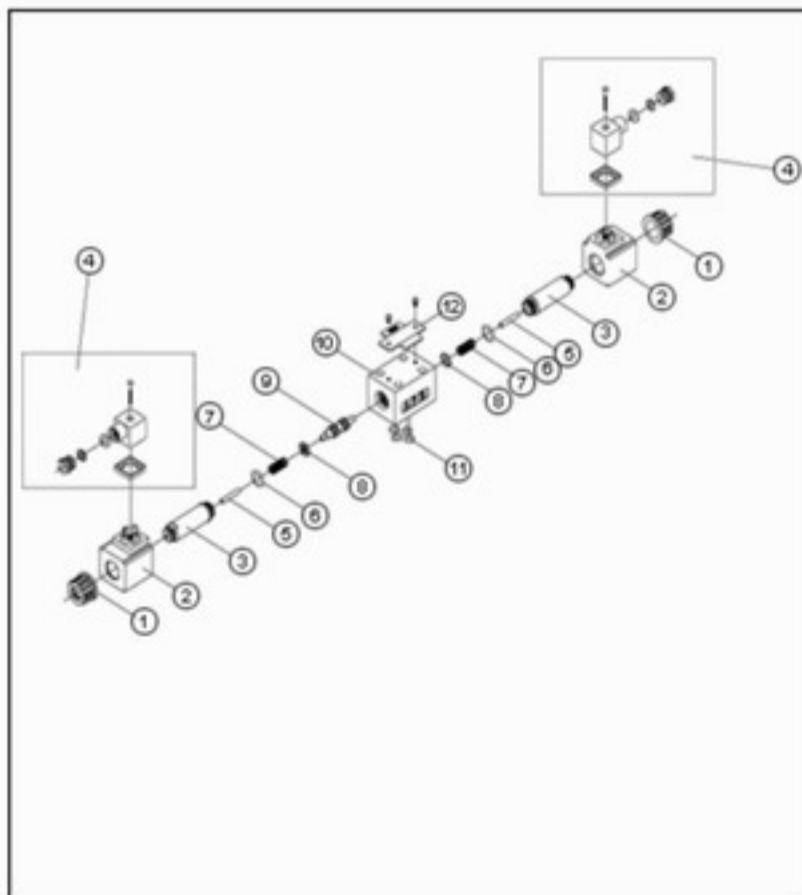
◆ 各部零件名稱及其展開圖 PARTS AND EXPANDING DRAWING

G02-LW



- 1. 螺帽
 - 2. 線圈
 - 3. 電磁管
 - 4. 盒式接線盒
 - 4-1. 透明上蓋
 - 4-2. 銘板
 - 5. 撞擊杆
 - 6. 電磁管油封
 - 7. 彈簧
 - 8. 彈簧座
 - 9. 軸心
 - 10. 本體
 - 11. 本體底板油封
-
- 1. Screw nut
 - 2. Coil
 - 3. Tube
 - 4. BOX contactor
 - 4-1. Transparent panel
 - 4-2. Nameplate
 - 5. Hitting staff
 - 6. Tube o-ring
 - 7. Spring
 - 8. Spring set
 - 9. Spool
 - 10. Main body
 - 11. Body o-ring

G02-DL



- 1. 螺帽
 - 2. 線圈
 - 3. 電磁管
 - 4. 插頭式接線盒
 - 5. 撞擊杆
 - 6. 電磁管油封
 - 7. 彈簧
 - 8. 彈簧座
 - 9. 軸心
 - 10. 本體
 - 11. 本體底板油封
 - 12. 銘板
-
- 1. Screw nut
 - 2. Coil
 - 3. Tube
 - 4. DIN contactor
 - 5. Hitting staff
 - 6. Tube o-ring
 - 7. Spring
 - 8. Spring set
 - 9. Spool
 - 10. Main body
 - 11. Body o-ring
 - 12. Nameplate