

Reduce The Effects Of Repetitive Motion

Many machine operators are required to operate air powered equipment hundreds or thousands of times per day. These types of routines can result in repetitive motion disorders such as Carpal Tunnel Syndrome. The debilitating effects usually result in increasing worker compensation claims and declining employee productivity.

Ergonomically designed to respond to extremely low actuation forces, Mead's Low Stress actuators require as little as 6 ounces of force to initiate a signal. This valve will dramatically reduce the demands on your workers' hands, wrists and arms.

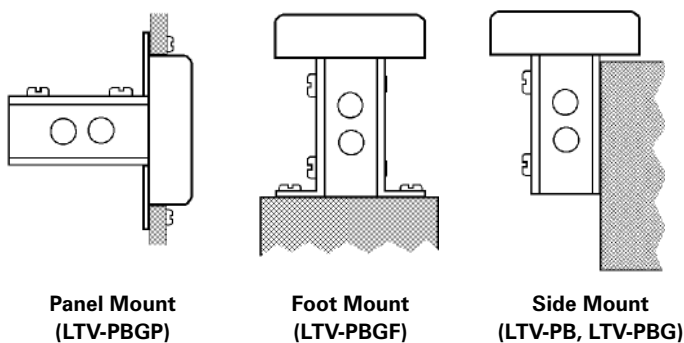
How To Order

Three actuator stickers (red, green & black) are included with each valve. All models may be configured 3-way normally open, 3-way normally closed or 4-way.

Model #	Description
LTV-PB	Basic Valve (Unguarded); For Side Mounting
LTV-PBG	Valve with Button Guard; For Side Mounting
LTV-PBGF	Valve with Button Guard; For Foot Mounting
LTV-PBGP	Valve with Button Guard; For Panel Mounting

Mounting Options

The Low Stress Series allows you to choose between three distinct mounting options. Mounting holes are located in the valve body for standard side mounting. For foot bracket or panel mounting, be sure to specify the proper model number, listed below.



Operating Specifications

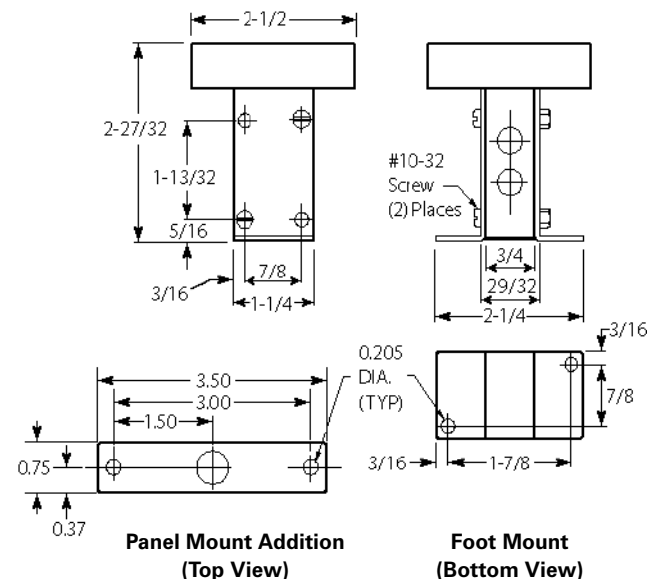
LTV Low Stress valves are ported 1/8" NPT. They are shipped with a 3-way normally closed flow pattern for pilot applications, but can be easily converted to 3-way normally open or 4-way flow by removing a port plug.

Technical Specifications	
Temperature :	0°F to 115°F
Pressure:	25 - 125 PSI air
Filtration:	Standard 40 micron. filter recommended to prolong seal life
Lubrication:	Petroleum based oil
Flow at 100 PSI:	14 SCFM
C _v Factor:	0.24

Valve Symbol - All Models



Dimensions



Low Stress Two-Hand Control

To provide safer operation of assembly equipment and other machinery use the LTV Low Stress valves with the CSV-107 two-hand control unit. When used as directed, this unit demands concurrent actuation from two remote inputs before a signal can be initiated. Further, the release of one or both inputs immediately stops the output signal. The unit cannot recycle until both valves are again simultaneously actuated. The CSV-107 requires no electrical connections. For more information regarding the CSV-107, please see page 63.

